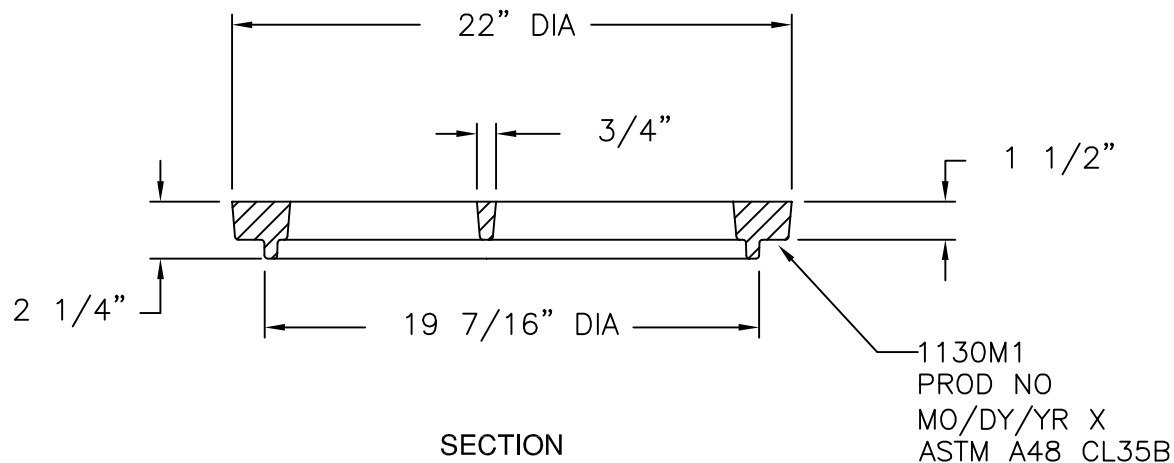
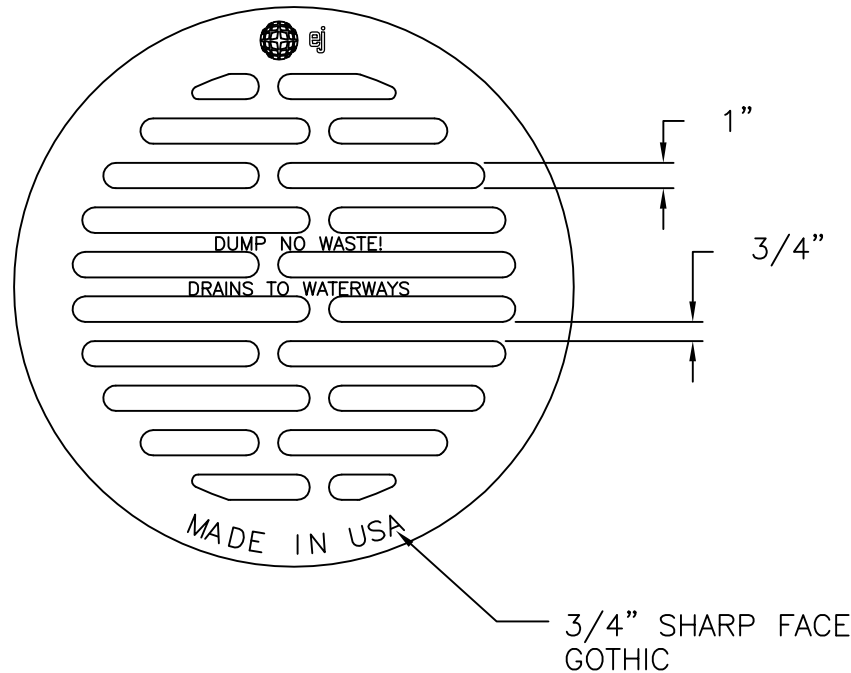


# 1130M1 Grate



## Product Number

00113029

## Design Features

- Materials  
Gray Iron (CL35B)
- Load Rating  
Medium Duty
- Open Area  
125 sq in
- Coating  
Dipped
- √ Designates Machined Surface

## Certification

- ASTM A48
- 
- 
- Country of Origin: USA

Supplied By:



## Drawing Revision

4/5/2007 Designer: SBB  
11/2/2021 Revised By: DAE

## Disclaimer

Weights (lbs./kg) dimensions (inches/mm) and drawings provided for your guidance. We reserve the right to modify specifications without prior notice.

CONFIDENTIAL: This drawing is the property of EJ GROUP, Inc., and embodies confidential information, registered marks, patents, trade secret information, and/or know how that is the property of EJ GROUP, Inc. Copyright © 2011 EJ GROUP, Inc. All rights reserved.

## Contact

800 626 4653  
ejco.com